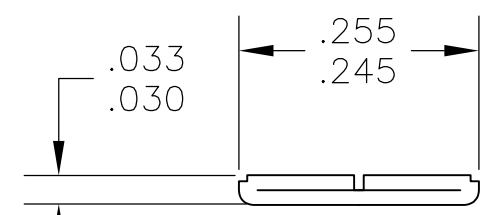
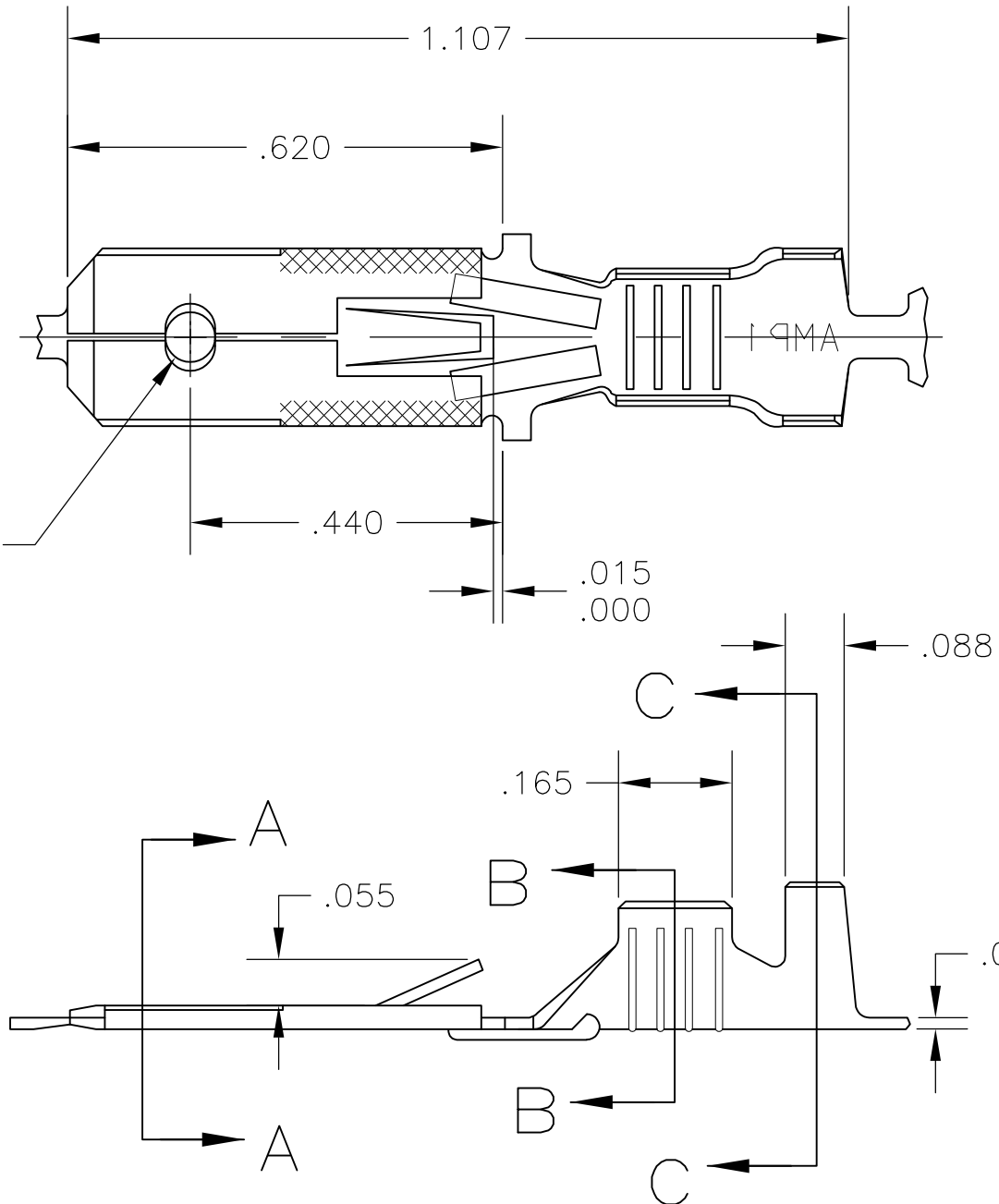
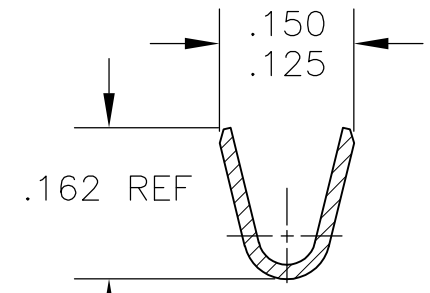


THIS DRAWING IS UNPUBLISHED. RELEASED FOR PUBLICATION  
 © COPYRIGHT BY TYCO ELECTRONICS CORPORATION. ALL RIGHTS RESERVED.

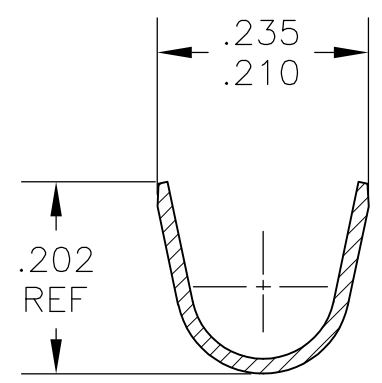
LOC	DIST	REVISIONS					
AF	50	P	LTR	DESCRIPTION	DATE	DWN	APVD
				AA2 REVISED PER ECR-08-009987	23APR08	HMR	KR



SECTION A-A  
 SCALE 5:1



SECTION B-B  
 SCALE 5:1



SECTION C-C  
 SCALE 5:1

- 1 CONTINUOUS STRIP ON REELS.
- 2 WIRE SIZE IS #18-#14.
- 3 INSULATION RANGE IS .100-.170 DIA.
- 4 FOREIGN PRODUCTION ONLY.
- 5 PREPRODUCTION - FASR REQUIRED.

	PRE-TIN	#2H BRASS	4	5	42460-8
OBSOLETE	SILVER .000120 MIN	#2H BRASS	42460-7		
	-	#2H PHOS BRZ	42460-6		
	PRE-TIN	#2H BRASS	42460-5		
OBSOLETE	TIN .000080 MIN	#2H PHOS BRZ	42460-4		
	SILVER .000120 MIN	#2H BRASS	42460-3		
	TIN .000080 MIN		42460-2		
	-		42460-1		
	FINISH	MATERIAL	PART NO		

THIS DRAWING IS A CONTROLLED DOCUMENT.		DWN	JR RUTH	9/17/90	Tyco Electronics Corporation Harrisburg, PA 17105-3608					
DIMENSIONS: INCHES		CHK	MS FEHER	9/17/90				NAME TAB, FASTIN-FASTON, .250 SERIES		
TOLERANCES UNLESS OTHERWISE SPECIFIED:		APVD	R KUZO	9/17/90	SIZE A3					
0 PLC ± - 1 PLC ± - 2 PLC ± - 3 PLC ± .015 4 PLC ± - ANGLES ± -		PRODUCT SPEC	-					CAGE CODE	00779	DRAWING NO
MATERIAL SEE TABLE		FINISH	SEE TABLE		APPLICATION SPEC	-		RESTRICTED TO	-	
		WEIGHT	-		CUSTOMER DRAWING			SCALE	4:1	
						SHEET		1 OF 1	REV	AA2